

# DOKON 500 Baler

## H2-Series



Kadant PAAL's DOKON fully automatic channel baler's unique design makes the PAAL DOKON baler a powerful, efficient bale press with horizontal twine tying system. The PAAL DOKON baler provides a pressing force of 90 to 218 tons and offers a bale format of 32" x 44" or 44" x 44". The combination of high pressing force, independence from the cutting and compressing process, and patented pre-press setting combined with individual channel adjustment lead to high quality baling results.

Today's Kadant PAAL GmbH was founded as the PAAL printing works in 1854 in Osnabrück, Germany before concentrating on manufacturing balers in 1906 since when it has delivered more than 31,000 machines. PAAL launched the first continuously operated horizontal baler in 1960 and today is firmly established as the #1 channel baler manufacturer in Europe.

# PAAL®

### DOKON Baler H2-Series Overview



#### Features

- Optimised knife, stamper, and channel design
- Modern axial piston pumps with low drive power
- Advanced positional ram measurement system
- Twine tying

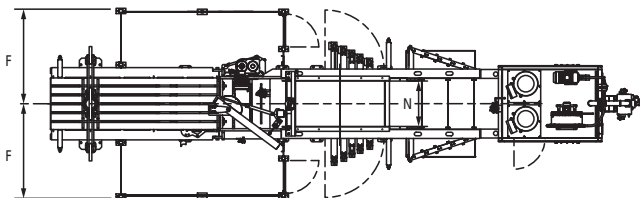
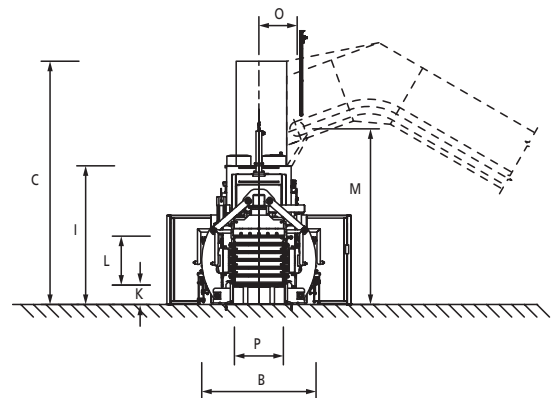
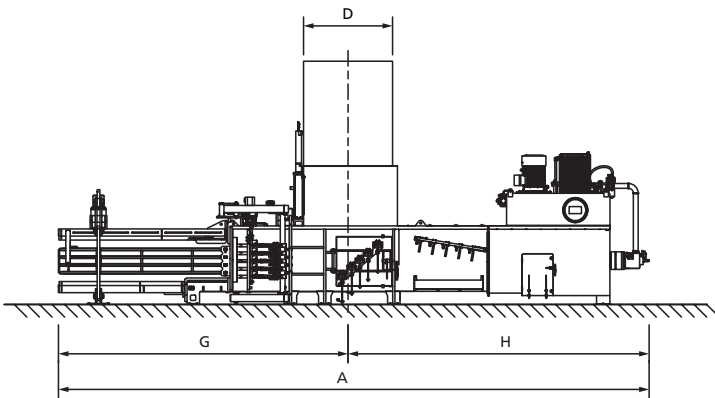


#### Benefits

- High throughput and bale weight
- Low energy consumption
- Easy disposal and no interference in a waste incineration process of the twine
- Low operation and maintenance costs
- Easy transport, storage, and handling of the spools
- Increased safety
- Low consumable costs by twine (approximately half the costs compared to wire)

## Technical Data and Measurements

DOKON Baler H2-Series		500							
Pressing force	t (kN)	122 (1197)							
Spec. pressing force	N/cm <sup>2</sup>	99							
Hydraulic reference pressure	bar	315							
Tunnel cross section	cm	110 x 110							
Hopper opening	cm	200 x 102							
Feeding volume	ca. m <sup>3</sup>	3,45							
Number of wires	pieces	5							
Driving power	kW	45	55	75	2 x 37	2 x 45	2 x 55	2 x 75	
Hydraulic pump flow	l/min	260	420	420	2 x 260	2 x 260	2 x 420	2 x 420	
Oil reservoir capacity	l	750	1250	1250	1250	1250	2100	2100	
Maximum performance without material	m <sup>3</sup> /h	429	650	650	782	782	1135	1135	
<b>Press Capacity (Weight)</b>									
• 100 kg/m <sup>3</sup> (ej. CSR)	ca. t/h	25	33	37	40	43	54	60	
• 150 kg/m <sup>3</sup> (ej. CSR)	ca. t/h	30	39	44	47	52	65	72	
• 200 kg/m <sup>3</sup> (ej. CSR)	ca. t/h	35	46	52	55	60	75	84	
Baler weight (dependent on options)	t	40							
Sound level without material at 1 m distance	dB(A)	< 85							



	A	B	C	D	F	G	H	I	K	L	M	N	O	P
DOKON 500 H2	13300	2569	5465	2000	2050	6507	6793	3115	435	1100	3930	1020	920	1100

Dimensions are in millimetres.

Specifications are for reference only and subject to change.