

PAC Baler

B-Series



The PAC baler with a vertical sliding door is designed for manual strapping of the bales with wire in a horizontal direction.

Pressing forces of 50 tons with a closed press chamber results in very high bale weights, even on difficult materials. The bale size is 75x110cm with a length of approx. 1.2m.

The PAC baler has a small footprint due to the vertical, hydraulically operated door, but still incorporates full bale ejection (very long ram stroke). The ejection of the finished bales is made easy with full bale ejection rather than machines with only partial ejection.

Today's Kadant PAAL GmbH was founded as the PAAL printing works in 1854 in Osnabrück, Germany before concentrating on manufacturing balers in 1906 since when it has delivered more than 31,000 machines. PAAL launched the first continuously operated horizontal baler in 1960 and today is firmly established as the #1 channel baler manufacturer in Europe.

PAAL®

PAC Baler B-Series Overview



Features

- Compaction against the closed tunnel door
- Compact construction and vertical door
- Hydraulically operated tunnel door
- Switch cabinet with PLC control mounted at the baler

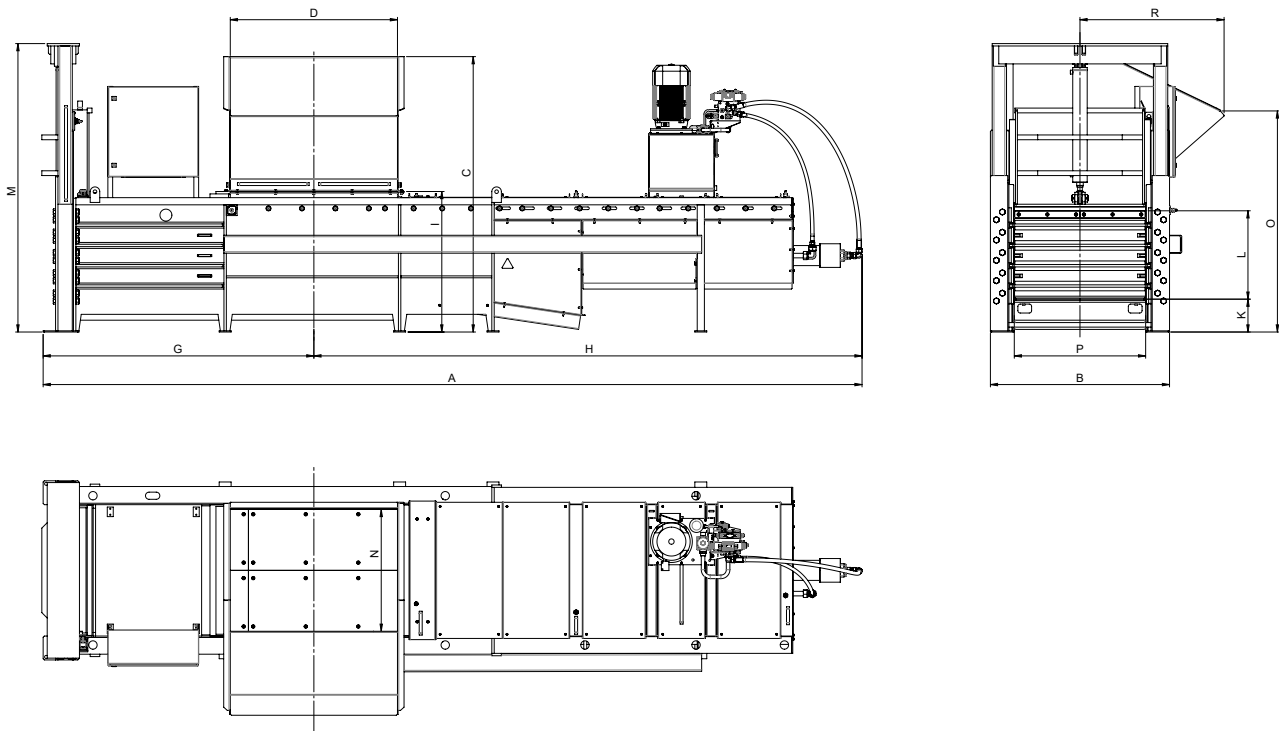


Benefits

- High bale weights
- Low space requirements
- Easy bale ejection
- Easy operation

Technical Data and Measurements

PAC B-Series		50 B
Pressing force	t (kN)	50 (486)
Spec. pressing force	N/cm ²	59
Tunnel cross section	cm	75 x 110
Hopper opening (L x W)	cm	140 x 102
Bale length	appr. cm	120
Number of tyings	pieces	4
Driving power	kW	15
Press output (ideal)	max. m ³ /h	92
Cycle time (ideal)	appr. s	45
Power Supply	3x 400V / 50Hz / PE or 3x 460V / 60Hz / PE	
Fuse protection on site	A	40



	A	B	C	D	G	H	I	K	L	M	N	O	P	R
PAC 50 B	6856	1500	2313	1400	2267	4589	1177	275	740	2415	1020	1851	1100	1207

Dimensions are in millimetres.

Specifications are for reference only and subject to change.