

DOKON 275 Baler

H2-Series



Kadant PAAL's DOKON fully automatic channel baler's unique design makes the PAAL DOKON baler a powerful, efficient bale press with horizontal twine tying system. The PAAL DOKON baler provides a pressing force of 90 to 218 tons and offers a bale format of 32" x 44" or 44" x 44". The combination of high pressing force, independence from the cutting and compressing process, and patented pre-press setting combined with individual channel adjustment lead to high quality baling results.

Today's Kadant PAAL GmbH was founded as the PAAL printing works in 1854 in Osnabrück, Germany before concentrating on manufacturing balers in 1906 since when it has delivered more than 31,000 machines. PAAL launched the first continuously operated horizontal baler in 1960 and today is firmly established as the #1 channel baler manufacturer in Europe.

PAAL®

DOKON Baler H2-Series Overview



Features

- Optimised knife, stamper, and channel design
- Modern axial piston pumps with low drive power
- Advanced positional ram measurement system
- Twine tying

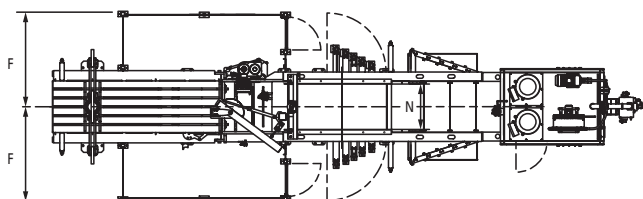
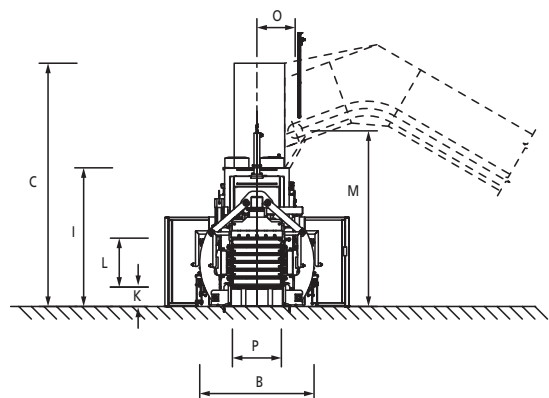
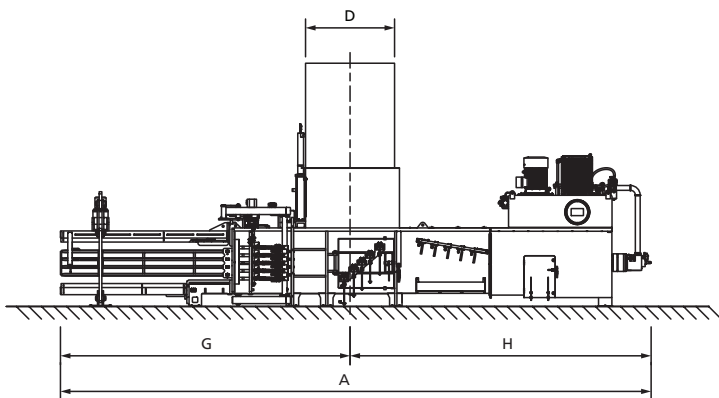


Benefits

- High throughput and bale weight
- Low energy consumption
- Easy disposal and no interference in a waste incineration process of the twine
- Low operation and maintenance costs
- Easy transport, storage, and handling of the spools
- Increased safety
- Low consumable costs by twine (approximately half the costs compared to wire)

Technical Data and Measurements

DOKON Baler H2-Series		275							
Pressing force	t (kN)	82 (802)							
Spec. pressing force	N/cm ²	91							
Hydraulic reference pressure	bar	315							
Tunnel cross section	cm	80 x 110							
Hopper opening	cm	160 x 102							
Feeding volume	ca. m ³	2,1							
Number of wires	pieces	4							
Driving power	kW	15	22	37	45	55	75	2 x 37	2 x 45
Hydraulic pump flow	l/min	110	110	260	260	420	420	2 x 260	2 x 260
Oil reservoir capacity	l	550	550	750	750	1250	1250	1250	1250
Maximum performance without material	m ³ /h	304	304	415	415	611	611	720	720
Press Capacity (Weight)									
• 100 kg/m ³ (ej. CSR)	ca. t/h	11	13	22	24	30	33	36	37
• 150 kg/m ³ (ej. CSR)	ca. t/h	15	18	29	31	38	43	45	48
• 200 kg/m ³ (ej. CSR)	ca. t/h	18	23	31	33	41	46	48	51
Baler weight (dependent on options)	t	25							
Sound level without material at 1 m distance	dB(A)	< 85							



	A	B	C	D	F	G	H	I	K	L	M	N	O	P
DOKON 275 H2	11500	2354	5185	1600	2050	5307	6193	2835	435	800	3650	1020	920	1100

Dimensions are in millimetres.

Specifications are for reference only and subject to change.